

SOMERSET HOMES
GG-11



HART HOWERTON, ARCHITECTS



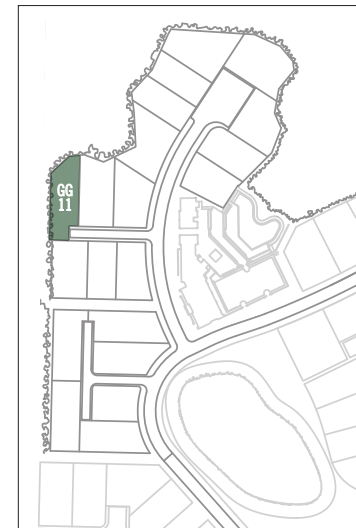
SOMERSET HOMES

GG-11

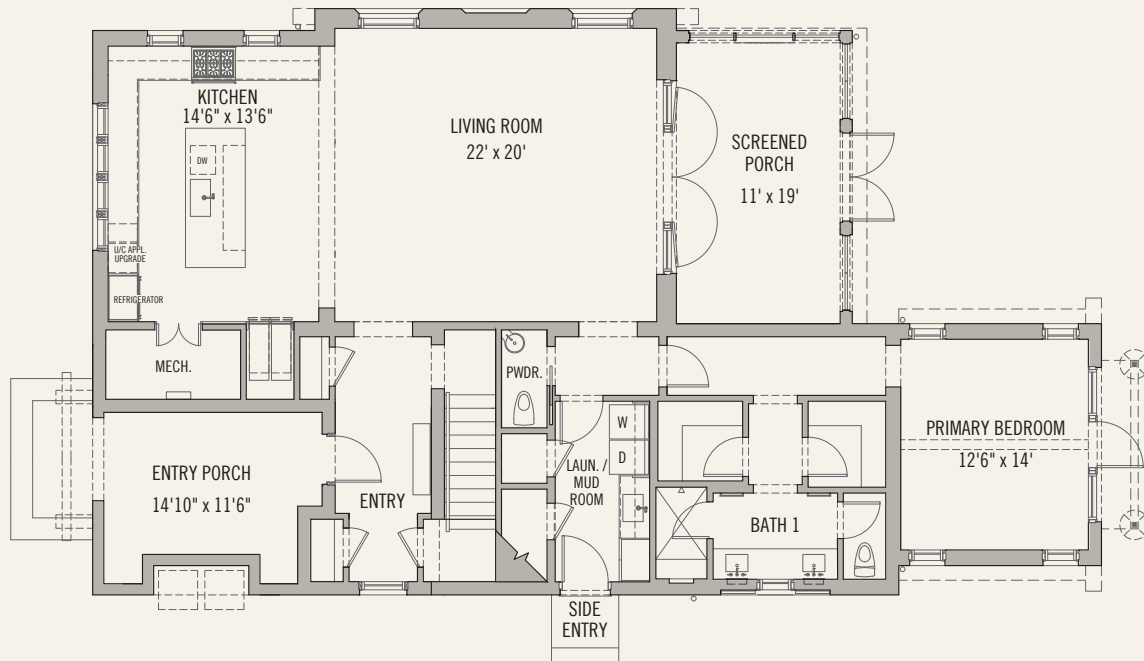
4 BEDROOMS

4 ½ BATHS

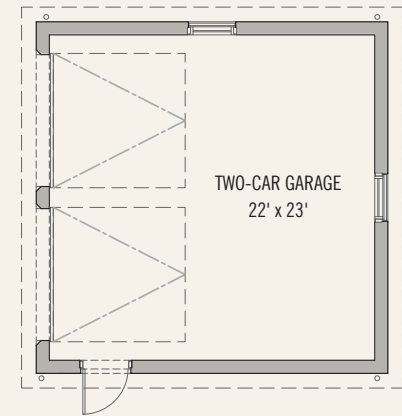
Conditioned Space:	3,374 sq. ft.
Unconditioned Space:	630 sq. ft.
Garage Space:	576 sq. ft.



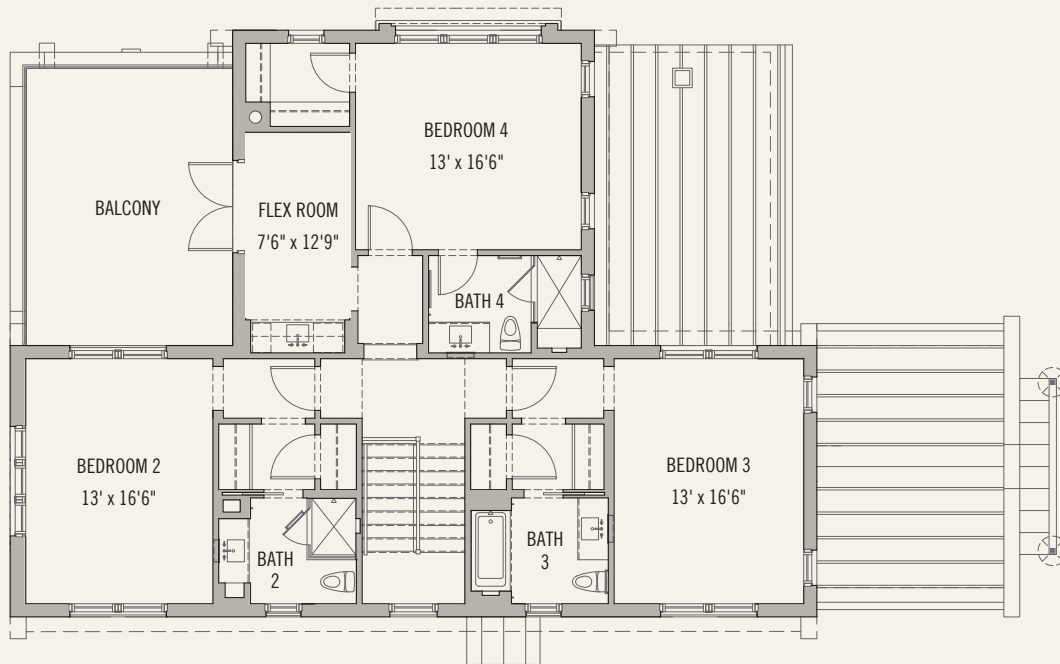
GG-11 Homesite Location



FIRST FLOOR



FIRST FLOOR GARAGE



SECOND FLOOR



ALYSBEACH.COM | FACEBOOK.COM/ALYSBEACHFL

The design and construction of The Garden District at Alys Beach, are ongoing processes. The master plan, floor plans, features, and prices may change without notice in accordance with the condominium documents. Illustrations are artist's depictions only and may differ from completed improvements. Room dimensions and square footages are approximate. This is not an offer to sell real property. (For that, please visit our local sales office.)

Void where prohibited by law. Equal Housing Opportunity. No Federal Agency has judged the merits or value, if any, of this property. Alys Beach is a trademark of EBSCO Industries, Inc. © 2023